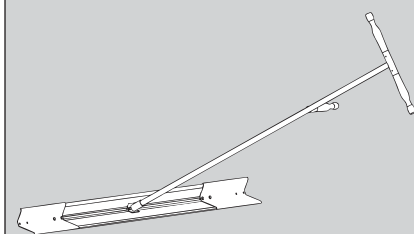


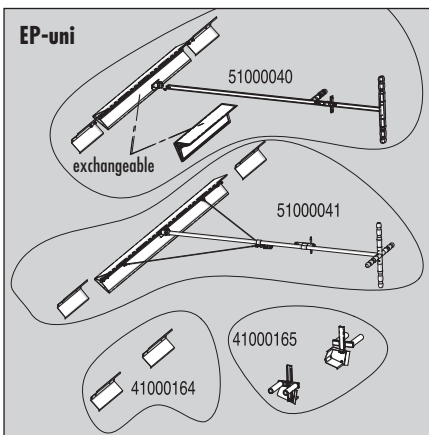
EP-uni 230/300



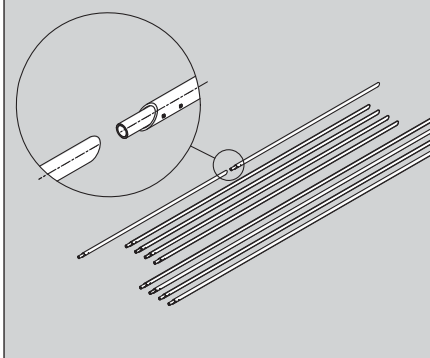
EP-uni 90/230



EP-uni



AZL-EP



EASY PLAN EP-uni The smart handscreeding system

The EP-uni is an optimal hand-tool for an economical performance of smaller and medium-sized sites. With this device you do it quicker, easier and better.

▷ Continuously adjustable telescopic elements.

With only one system you can screed different working widths easily and exactly.

EP-uni is adjustable to the required working width between 900 and 2,300 mm respectively between 2,300 and 3,000 mm.

▷ With two telescopic elements the basic Alu-profile can be enlarged by maximum 700 mm.

▷ Set 90/230 for working width 900 up to 2,300 mm

▷ Set 230/300 for working width 2,300 up to 3,000 mm

▷ Flanged at the sides, height-adjustable roller units take the height off existing kerbs, pavers or similar. This is possible not only with the basic element but also with the telescopic elements. No further rail gauges are necessary, thus granting additional time-saving!

▷ Including special key for fast mounting of the telescopic elements and the roller units.

▷ No torsion with the strong Alu-profile, even at working-widths up to maximum 3 m!

▷ Due to special design, the profile does not leave the screeding rail even when working with large quantities of screeding material.

▷ The three-dimensional handle of EP 230/300 is adjustable to the required angle-positioning.

▷ The special design of the handle enables the operator to use the weight of his body to exert pulling force in every position of the EP-profile.

▷ With the 900 mm EP the screeding material can be carried and filled exactly into the gaps left by the screeding rails, for example water-pipes.

▷ Handle removable for transport.

Type	Working Width mm (in)	Dead Weight kg (lbs)	Order-Number
EP-uni-Set 90/230 consisting of: - 1 Alu-Profile each 900 mm and 1,600 mm - 1 handle - 2 telescopic units each 350 mm	900 – 2,300 (35 1/2 – 91")	15 (33)	5100.0040
EP-uni-Set 230/300 consisting of: - 1 Alu-Profile 2,300 mm - 1 three-dimensional handle - 2 telescopic units each 350 mm	2,300 – 3,000 (91" – 118")	15 (33)	5100.0041
EP-uni 900	900 (35 1/2")	6 (13)	5100.0044
EP-uni 1.600	1.600 (63")	8 (18)	5100.0045
EP-uni 2.300	2.300 (91")	11 (24)	5100.0046
Set of Roller Units for EP-uni[Ⓢ] (can be added later)		7 (15)	4100.0165
1 Set of Telescopic Units for EP-uni 2 x 350 mm (13 1/2")		3 (6,6)	4100.0164

Screeding Rail Kit AZL-EP for Handscreeding System EASY PLAN EP-uni

Through integrated plug-in connections it is very easy to join these lightweight screeding rails together. A cubical inclined plane of section gives inlined joints in each direction. Impossible to hook in with the wipers.

▷ Non-corroding due to use of galvanized steel pipes.

▷ Simple, robust, integrated plug system. Undetachably!

Type	Number of Parts	Total Length m (feet)	Dead Weight kg (lbs)	Order-Number
AZL-EP Set[Ⓢ]	consisting of: 2 x 1,5 m, 4 x 2,5 m, 4 x 3 m	25 (82.5)	41 (90)	5100.0057

Ⓢ Durable surface protection by galvanizing